



MIDI 5618 18W 2G11

IP65   230 V 50 Hz

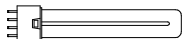
Class I

Glow wire 960°

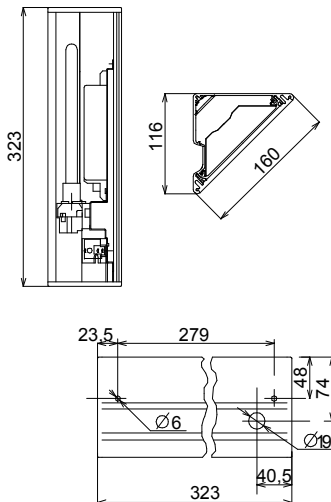
Impact test: 6 joules

Test report n.° 04FA00086/1 CENELEC

Electromagnetic compatibility CEE 89/336 - EN 55015 III Ed. - EN 61000 - 3 - 2



PL18 W - 2G11



Definition and application

Right-angled triangle shape section weatherproof aluminium lighting fitting, opal opal tempered glass diffuser and aluminium frame. It sticks out 11 centimeters.

To be installed on wall, on ceiling, on the corners, oriented towards the floor or towards the ceiling or on the post. Installable also on flammable surfaces.

Lighting source:

2G11 lampholder 18 W
 Illuminance level: **1200** Lumen
 Life: **8000** h
 Tonality:
2700° K warm
3500° K white
4200° K very white light

Description

Housing: extruded aluminium
 Side cover: polycarbonate with 30% glass fiber.
 External frame in die-cast aluminium.

Flat opal glass diffuser

Gaskets:

Side cover : aerstop autoadhesive by die cut.

Diffuser: injection moulding silicone.

Terminal block: Stucchi 676 A

Reflector: extruded aluminium 99,8 polished

Ballast: Vossloh 162866.08

Lampholder + Starterholder: Stucchi 441/AV/16

Starter: LC RELCO SC480

Interference filter: Arcotronics 0,047 μ F, 250 Vac, 50/60 Hz

Wiring: mm² 0,75 cables, PVC insulator

Finish

Polycarbonate: Cleaning bath, spray painting, UV resistant

(+ only silver) liquid transparent varnishing UV resistant

Aluminium: Pickling, phosphochrome, polyester powder coating, UV resistant

(+ only silver) transparent coating UV resistant

Photometry: Efficiency $\mu = 66\%$

The diagram of illuminance is round and central.

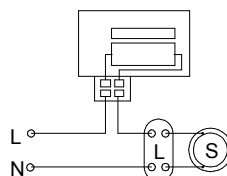
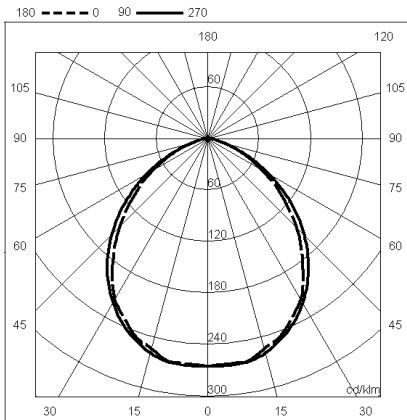
The polished reflector multiplies illuminance level.

Installation:

Two fixing holes in the base

Cable entry from the rear. Push in rubber entry cable gland WISKA QUIXX EMS20

M20x1,5 IP66



Wiring diagram