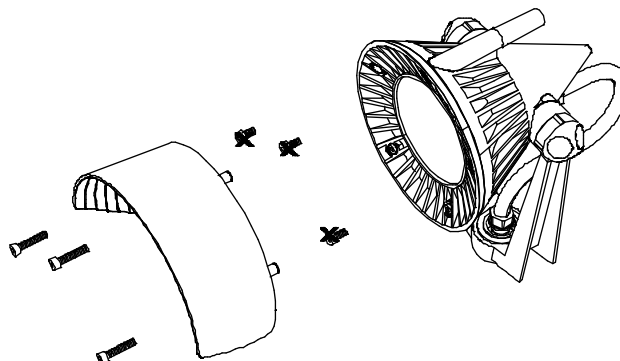
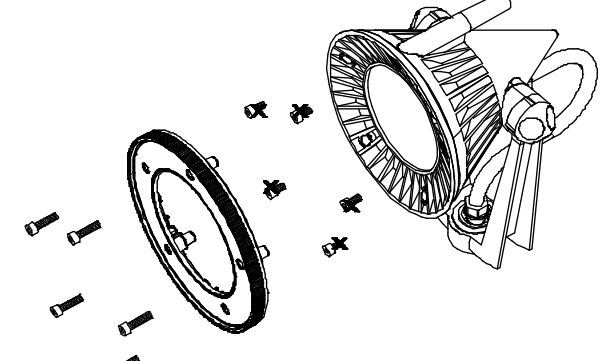
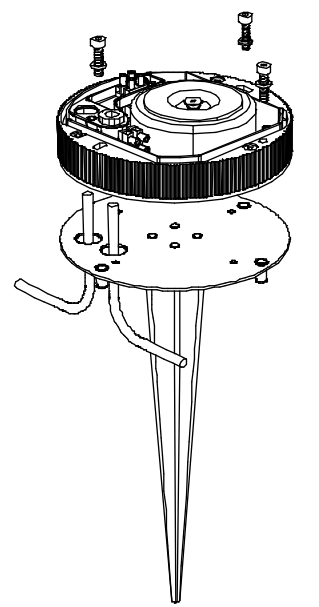
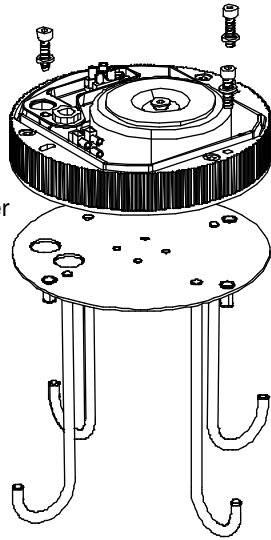


Conforme alle norme europee / Conformity with European standards EN 60 598-1

Conforme aux normes européennes / Laut europäischen Gesetze EN 60 598-1

cod. doc 91225 rev. A
cod. 089122500

 <p>4652</p> <p>Visiera Shield Garde-vue Blende</p>	 <p>4654</p> <p>Filtro dicroico Dichroic filter Filtre dicroïque Dikroischer Filter</p>																																						
<p>4655</p> <p>Picchetto Spike Piquet Spieß</p> <table data-bbox="159 1366 399 1702"> <tr> <td></td> <td rowspan="5">}</td> <td>4613</td> </tr> <tr> <td></td> <td>4615</td> </tr> <tr> <td></td> <td>4617</td> </tr> <tr> <td></td> <td>4619</td> </tr> <tr> <td></td> <td>4620</td> </tr> <tr> <td></td> <td></td> <td>4621</td> </tr> <tr> <td></td> <td rowspan="2">}</td> <td>4618</td> </tr> <tr> <td></td> <td>4622</td> </tr> </table> 		}	4613		4615		4617		4619		4620			4621		}	4618		4622	<p>4656</p> <p>Piastra con tirafondi Plate with anchoring set Plaque avec fixations Bodenplatte mit Bodenanker</p> <table data-bbox="845 1366 1085 1702"> <tr> <td></td> <td rowspan="5">}</td> <td>4613</td> </tr> <tr> <td></td> <td>4615</td> </tr> <tr> <td></td> <td>4617</td> </tr> <tr> <td></td> <td>4619</td> </tr> <tr> <td></td> <td>4620</td> </tr> <tr> <td></td> <td></td> <td>4621</td> </tr> <tr> <td></td> <td rowspan="2">}</td> <td>4618</td> </tr> <tr> <td></td> <td>4622</td> </tr> </table> 		}	4613		4615		4617		4619		4620			4621		}	4618		4622
	}		4613																																				
			4615																																				
			4617																																				
			4619																																				
		4620																																					
		4621																																					
	}	4618																																					
		4622																																					
	}	4613																																					
		4615																																					
		4617																																					
		4619																																					
		4620																																					
		4621																																					
	}	4618																																					
		4622																																					